

DATE October 8, 2015
PAGE 1 of 27

Disclaimer: the content of this draft is disclosed for information and discussion purposes only. In no way does this draft constitute rights for (potential) connected parties, or bind TenneT legally.

Annexes to Offshore Realisation Agreement

- Annex 1** Details of [Name of Connected Party]
- Annex 2** Description and technical specifications of the Connection, including drawings
- Annex 3** Technical terms and conditions for offshore installations
- Annex 4** Technical requirements applicable for the connection of Offshore Power Park Modules
- Annex 5** Compliance Testing Requirements
- Annex 6** Operational arrangements and exchange of information
- Annex 7** Insurance

Signed for approval:
Commencement date:
TenneT TSO B.V.

[Connected Party]

Annex 1 Details of [Name of Connected Party]

General note

In this Annex the Parties capture data in good cooperation. This will take place in the bilateral consultations after the offshore wind subsidy tender (prior to concluding the Realisation Agreement).

General details

Connected Party _____
Correspondence address _____
Postcode + city/town _____
Chamber of Commerce registration number _____
Invoice address _____
Order number / reference for invoicing purposes _____

Intercessors contracts

Organisation: _____ Name of Connected Party _____
Department: _____
Contact person: _____
Correspondence address _____
Postal code + city/town _____
Telephone: _____
Fax: _____
E-mail: _____

Organisation: TenneT TSO B.V.
Department: _____
Contact person: _____ Name of relations manager _____
Correspondence address _____
Postal code + city/town _____
Telephone: _____
Fax: _____
E-mail: _____

Signed for approval: Commencement date: TenneT TSO B.V.

[Connected Party]

Project management

Organisation: _____ Name of Connected Party _____
Department: _____
Contact person: _____ Name of project leader _____
Correspondence address _____
Postal code + city/town _____
Telephone: _____
Fax: _____
E-mail: _____

Organization: TenneT TSO B.V.
Department: _____
Contact person: _____ Name of project leader _____
Correspondence address _____
Postcode + city/town _____
Telephone: _____
Fax: _____
E-mail: _____

Signed for approval:	
Commencement date:	
TenneT TSO B.V.	[Connected Party]

Annex 2 Description and technical specifications of the Connection, including drawings

General note

In this Annex the Parties capture data in good cooperation. This will take place in the bilateral consultations after the offshore wind subsidy tender (prior to concluding the Realisation Agreement).

Connection details

Connection capacity	_____ MVA: cos phi _____
Physically connected to platform	_____
Physically connected voltage level	66 kV
Bay name(s)	_____(TenneT will specify all bay names to be used by the Connected Party and TenneT before concluding the Realisation Agreement _____)
Substation (name and coordinates)	_____(TenneT will specify before concluding the Realisation Agreement) _____

Description of the Connection

(One or more 66kV bays, to be specified before concluding the Realisation Agreement)

Description of the Connection Points

Primary Connection Point	The primary Connection Point between the offshore power park module and TenneT is specified at the 66kV cable termination of the 66kV inter-array cables and the 66kV switchgear installation on the platform.
Secondary Connection Point(s)	The secondary Connection Point is defined at the clamps of the measuring cabinet, see drawing [reference].
Tertiary Connection Point(s)	To be determined. (The tertiary Connection Points are all spatial boundaries, where ownership and management transfer to the Parties.)

Signed for approval:	
Commencement date:	
TenneT TSO B.V.	[Connected Party]

Examples of secondary Connection Points:

Metering

The current and voltage measurement will take place via cabling in the Platform to the clamps of the measurement cabinet. The measurement cabinet is property of the Connected Party and is in accordance with the *Meetcode*. At the clamps of the measurement cabinet the transition of ownership is made from TenneT to Connected Party.

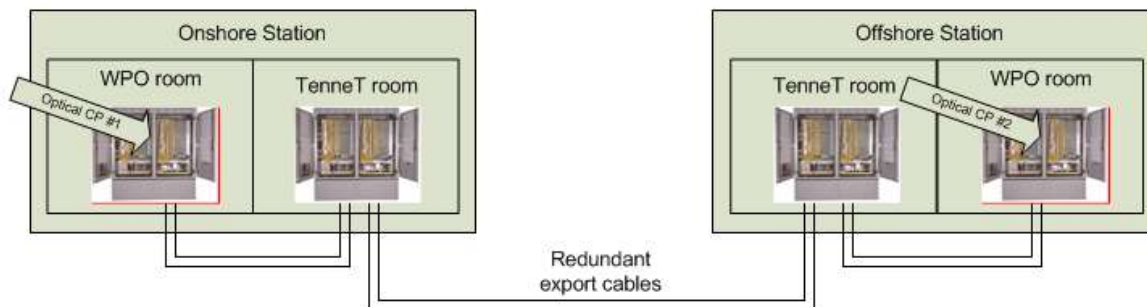
Fibre optic cables

TenneT will install two redundant 220kV export cables from the onshore substation to the offshore platform. Fibre optic cables will be included in these cables. All of these fibre optic cables will end in a fibre optic patch panel in TenneT rooms, both on the onshore station as well as on the offshore station.

From the TenneT room designated fibre optic cables will be installed and connected to a second patch panel in the Connected Party's room. The optic fibres designated to be used by the Connected Party will be 1:1 patched in the TenneT rooms and therefore create a "dark fibre" path from the Connected Party's room onshore to the Connected Party's room offshore.

TenneT will install the patch panel in the room of the Connected Party. The patch panel placed in the Connected Party's room will be the Optical CP, meaning that the patch cable itself that will be plugged into the patch panel of the equipment will be owned by the Connected Party.

The above design is depicted in the figure below:



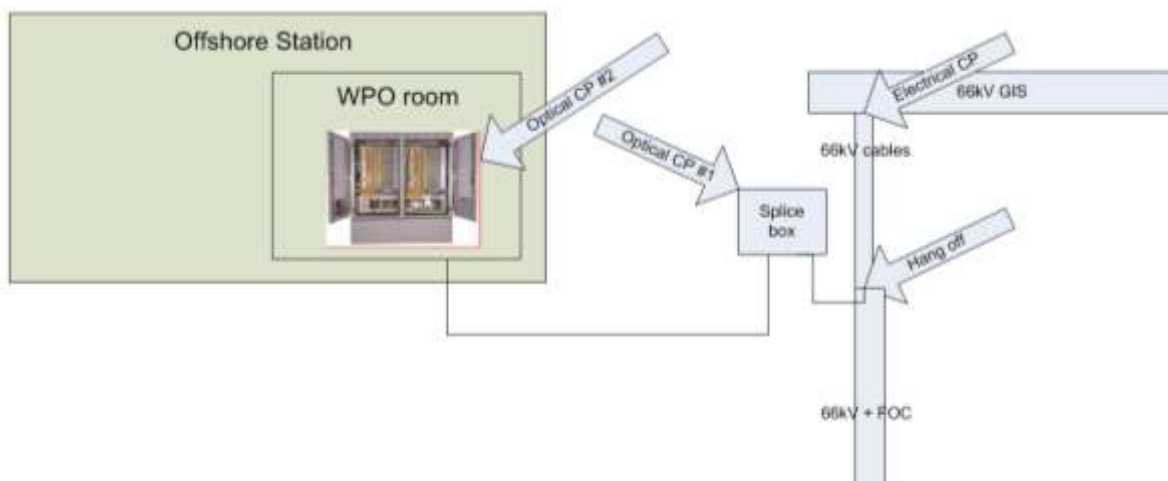
Signed for approval:
Commencement date:
TenneT TSO B.V.

[Connected Party]

Optical Connection Point #	Equipment	Installed by	Spliced by	Patched by
1	Patch panel in Connected Party's room	TenneT	TenneT	Connected Party
2	Patch panel in Connected Party's room	TenneT	TenneT	Connected Party

The 66kV cables which have their electrical Connection Point at the cable termination of the 66kV GIS, will be installed by the Connected Party. At the cable hang off on the cable deck (or possibly a different location: to be decided in agreement between TenneT and Connected Party), a splice box will be installed by TenneT.

From this splice box an Fibre Optic Core (FOC) will be installed by TenneT towards the fibre optic patch panel placed in the Connected Party's room. The fibre optic cores will end in the fibre optic patch panel owned by TenneT. The other side will end in the splice box on the cable deck, the optical fibres will be spliced by the Connected Party.



Optical Connection Point #	Equipment	Installed by	Spliced by	Patched by
1	Splice box at cable deck	TenneT	Connected Party	-
2	Patch panel in Connected Party's room	TenneT	TenneT	Connected Party

Signed for approval:
Commencement date:
TenneT TSO B.V.

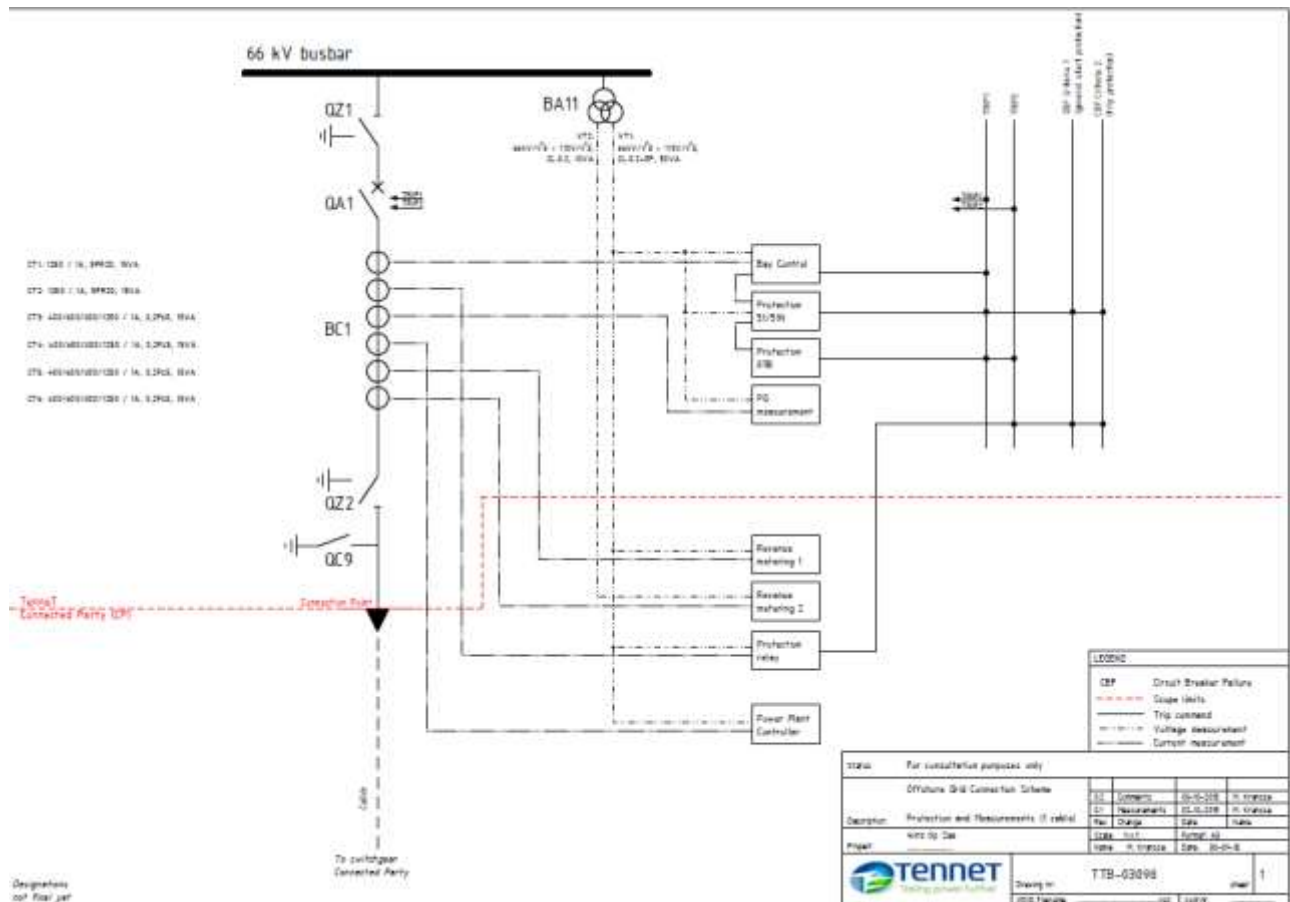
[Connected Party]

Find below the single line diagram and all other important drawings and/or photographs, including the connection- and metering point(s), bay codes, etc

[Drafting note: these drawings/photographs will be updated/completed before concluding the Agreement.

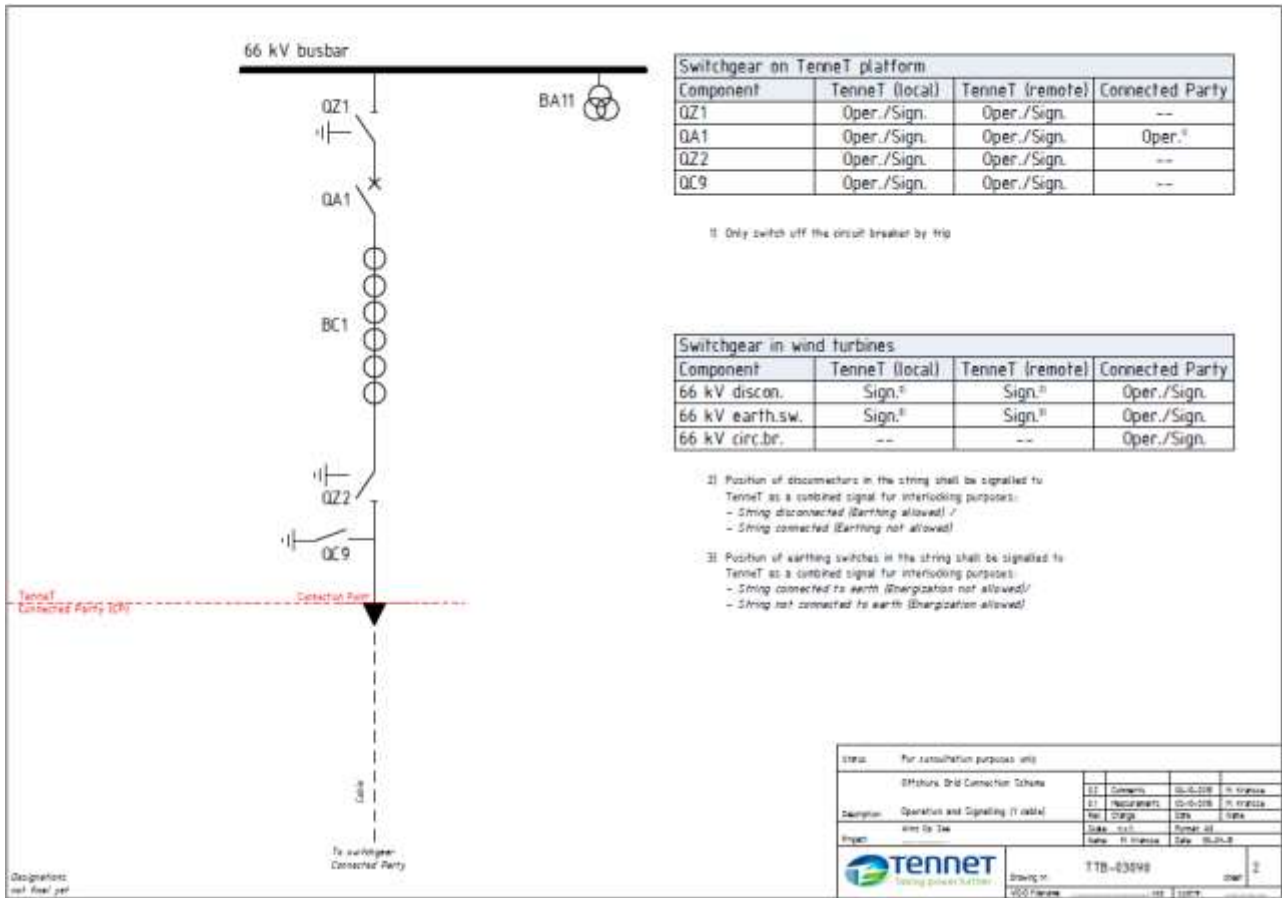
The drawings below are examples, not final drawings.]

Examples:



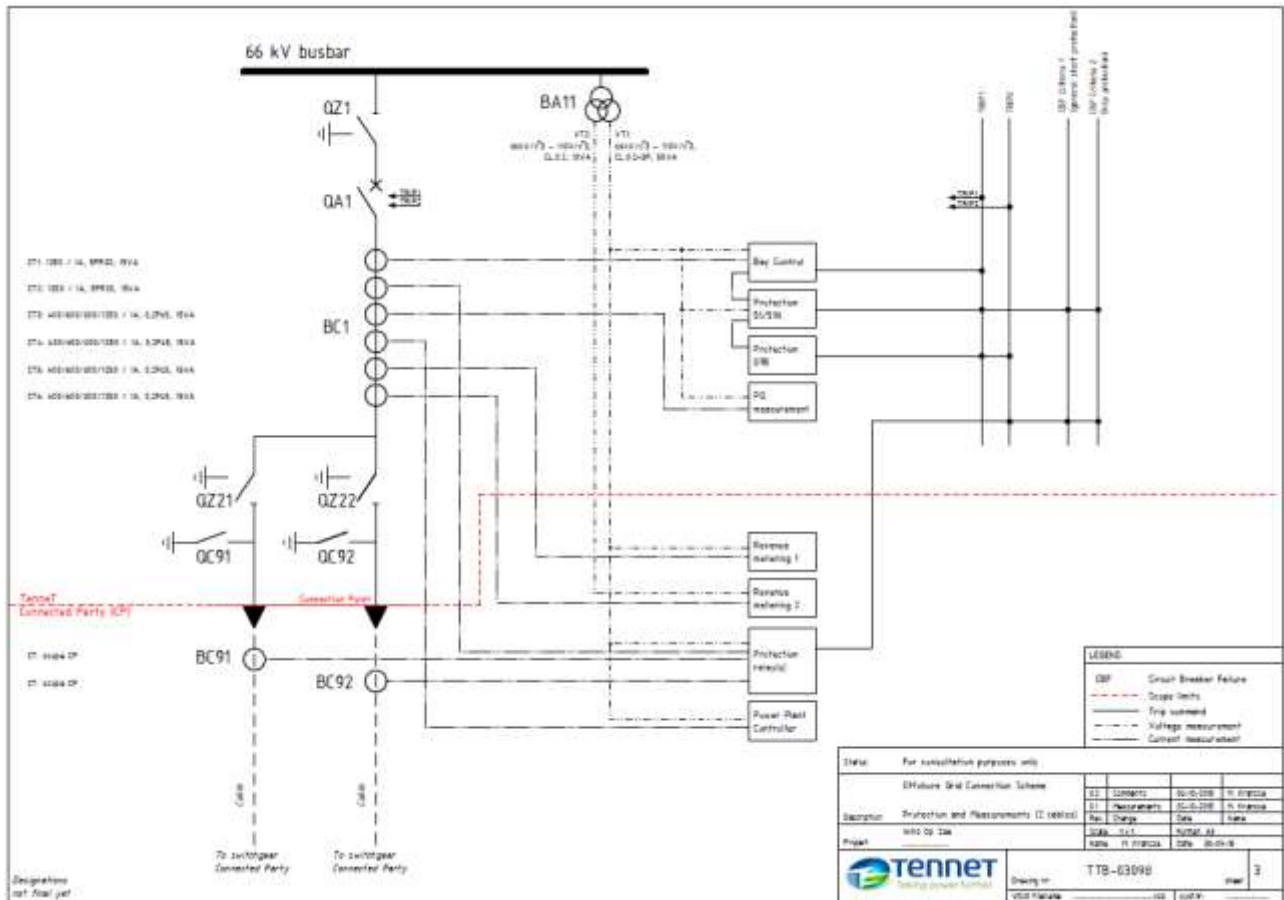
Signed for approval:
Commencement date:
TenneT TSO B.V.

[Connected Party]



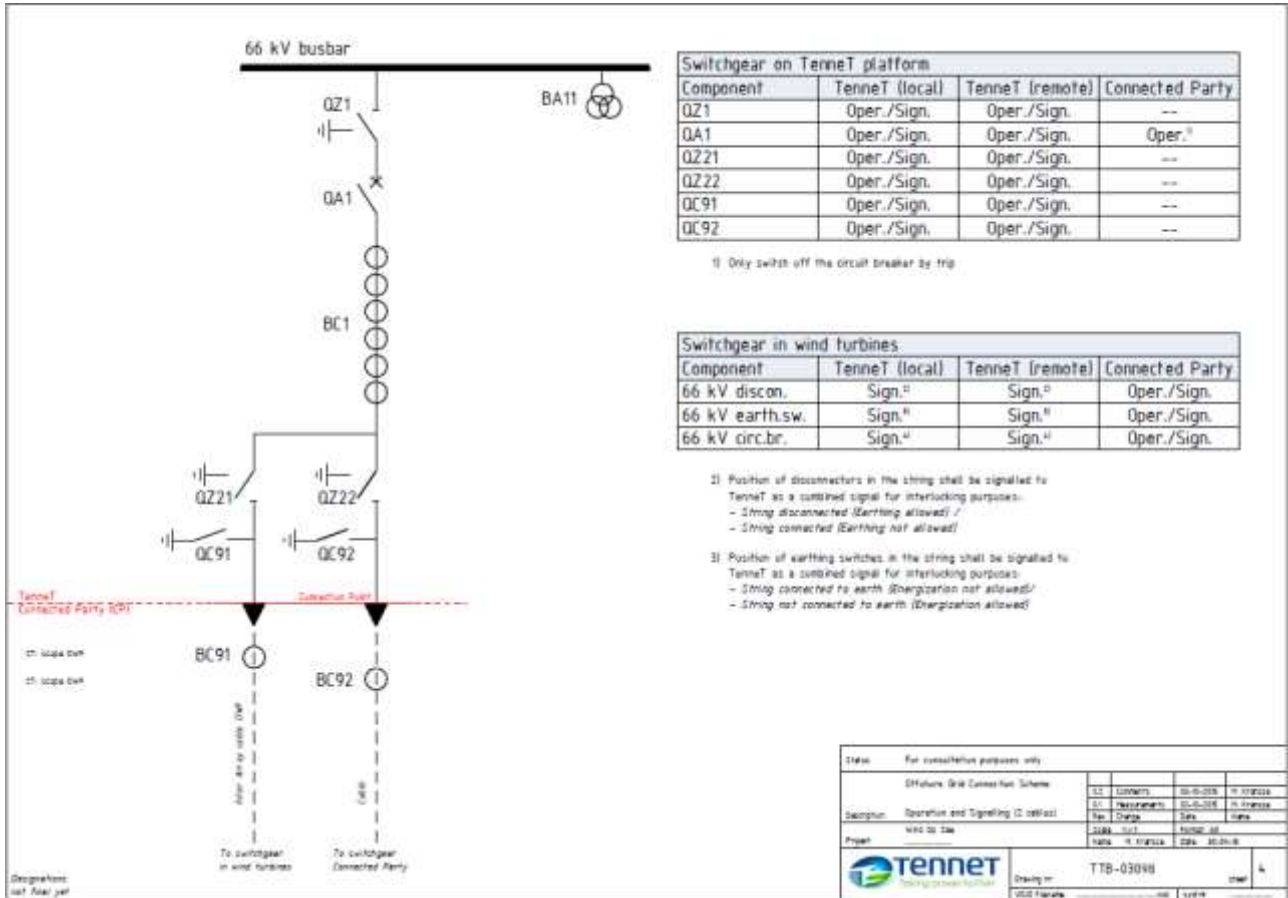
Signed for approval:
Commencement date:
TenneT TSO B.V.

[Connected Party]



Signed for approval:
Commencement date:
TenneT TSO B.V.

[Connected Party]



Signed for approval:
Commencement date:
TenneT TSO B.V.

[Connected Party]

Annex 3 Technical terms and conditions for offshore installations

General note

This Annex will be based on the outcome of the technical consultation and consist of those topics that are not included in legislation or codes yet and currently need to be laid down in the Realisation Agreement.

Number of J-tubes and bays

The platform will accommodate up to 8 (eight) J-tubes for use by the Connected Party. Each connection will be facilitated with a point of common coupling (PCC).

Six 66kV bays will be available per Power Park Module. This results in four bays "one string – one bay" and two bays "two strings – one bay". In the case of two strings – one bay, this will be done with two separate cable disconnectors.

Secondary Point of Common Coupling

- The current and voltage measurement will be brought via cabling in the Platform to the measurement cabinet of the Acknowledged Metering Responsible Party. The transition is made at the clamps of the measurement cabinet.
- Besides a metering system, power quality components will be installed by TenneT to measure and verify that the energy supplied is in accordance with the RfG requirements.

Operation of bays

TenneT will standardise the operation of bays for the offshore Platform. The switchgear installation with connections to the offshore Power Park Module is fully operated by TenneT, as the owner of the switchgear.

Protection

TenneT will standardise the protection equipment on the platform of the offshore Power Park Module (PPM) inter-array cable strings to the TenneT offshore transformer platform. TenneT will own, operate and maintain the protection system. TenneT will align with [Name of Connected Party] on details of the protection system.

Reactive power compensation

During operation the Power Park Module shall absorb or inject reactive power on demand of TenneT between -0,1 pu and +0,1 pu (1 pu is full active power in MW independent of the numbers of Wind Turbine Generators in operation) at PCC, as agreed in the Connection and Transmission Agreement, without any financial compensation to the Power Park Module.

If the reactive power capabilities of a specific Wind Turbine Generator cannot comply at very low active power (below 0,1 pu), then TenneT will adjust their component set-up (reactors, capacitors) accordingly.

Signed for approval:

Commencement date:

TenneT TSO B.V.

[Connected Party]

The full reactive power capabilities of the Power Park Module to absorb or inject reactive power on demand of TenneT are between -0,4 pu (absorption) and +0,35 pu (injection) at PCC (1 pu is full active power in MW dependent of the numbers of Wind Turbine Generators in operation).

SCADA, Communication interface and data links

TenneT will make available to the Connected Party:

- In the offshore substation: a telecommunication room of ~20m² to install cabinets owned by the Connected Party. Following services are supplied by TenneT: sufficient CT/VT connections, Heating, Ventilation, Air Conditioning (HVAC); a redundant and uninterruptable power supply, fire detection and extinguishing;
- A room in TenneT's onshore substation of ~48m² (~6m×~8m) with following services supplied by TenneT: Heating, Ventilation, Air Conditioning (HVAC); a redundant and uninterruptable power supply, fire detection (no fire extinguishing);
- Sufficient patch panels to connect the fibres of all array cable strings. The maximum amount is to be determined by TenneT and the Connected Party. Patch panel capacity will be at least sufficient for 24 fibres per string. If required, patch panels for array cable fibre optic cables may be installed in the room in TenneT's onshore substation.
- Sufficient optical fibre pairs in both export cables to connect the main switches to the onshore communication interface point. Exact amount to be determined by TenneT and the Connected Party; as an indication in each export cable 24 fibres will be available for the Connected Party.
- Only in case of a firm and significant delay in realisation of such communication through the export cable fibres; TenneT is bound to install a wireless communication interface (emergency facility) between the offshore substation and onshore substation.

Shared Services

[under consultation]

Use of flexible transmission capacity, including curtailing principles

[under consultation]

Harmonic emission limits and transients study

[under consultation]

Signed for approval:

Commencement date:

TenneT TSO B.V.

[Connected Party]

Annex 5 Technical requirements applicable for the connection of Offshore Power Park Modules

General note

This Annex will be completed with the outcome of the technical consultation regarding harmonic emission limits, to be discussed 21 October 2015.

Drafting note: This annex is based on the RfG version June 10, 2015. The latest version of the RfG can be found at the EU website:

<https://ec.europa.eu/energy/en/topics/wholesale-market/electricity-network-codes>

1. Introduction

The European Network Code Requirements for Generators (RfG), the Act, and relevant clauses of the current Electricity Grid Code (*Netcode Elektriciteit*) and the Electricity System Code (*Systeemcode Elektriciteit*) apply accordingly, unless indicated otherwise in this Annex.

The *Netcode Elektriciteit* applies accordingly to the transmission system at sea, except for the following provisions:

Article 2.1.1.1 – 2.1.2.6

Article 2.2.1.1 – 2.2.5.3

Article 2.4.1.1 – 2.4.5.3

Article 2.5.4.1

Article 2.5.4.2

Article 2.5.4.6

Article 2.7.1 – 2.9.10

Article 4.1.3.1

Article 4.1.4.1 – 4.1.4.10

Article 4.2.3.1 – 4.2.5.18

Article 5.4.1 – 7.3.12

The *Systeemcode Elektriciteit* applies accordingly to the transmission system at sea, provided that for "netbeheerder van het landelijk hoogspanningsnet" should be read: "TenneT" and except for the following provisions:

[exceptions follow]

2. Definition

With respect to the RfG, a Connected Party is considered an Offshore Power Park Module (definition 18), which results in the applicability of:

- Chapter 4 of title II: "Requirements for Offshore Power Park Modules",
- Chapter 4 of title IV: "Compliance testing for offshore power park modules", and

Signed for approval:

Commencement date:

TenneT TSO B.V.

[Connected Party]

- Chapter 7 of title IV: "Compliance simulations for offshore power park modules".

The RfG specifies the general required capabilities of Offshore Power Park Modules. Proceedings regarding compliance testing and compliance simulations related to the RfG requirements will be part of CTA (Annex on compliance testing requirements).

Agreement on detailed information of actual settings of set points and parameters, information exchange, etc. related to the RfG requirements must be agreed upon at least 6 months prior to energisation. This agreement on actual settings will be part of CTA (Annex on operational arrangements and exchange of information).

3. Explanatory Notes to the RfG

1) Article 2: Definitions

Definition 2. The Offshore Transmission System is connected to the synchronous area of Continental Europe.

2) Article 2: Definitions

Definition 3. The nominal voltage of the Connection Point is 66 kV.

3) Article 5: Determination of significance

The Offshore Power Park Module connected to the Platform with a rated power > 75 MW is of type D, independent of the voltage level.

4) Article 13: Frequency requirements

Table 2 of the RfG for the Synchronous Area Continental Europe will be replaced by table A below:

Table A: Minimum time periods for which a power generating module has to be capable of operating on different frequencies, deviating from the nominal value, without disconnecting from the network.

Synchronous area	Frequency range	Time period for operation
Continental Europe	47.5 Hz – 48.5 Hz	30 minutes
	48.5 Hz – 49.0 Hz	30 minutes
	49.0 Hz – 51.0 Hz	Unlimited
	51.0 Hz – 51.5 Hz	30 minutes

5) Article 25: Voltage ranges

Table 10 of the RfG for the Synchronous Area Continental Europe shall be replaced by table B below:

Signed for approval:
Commencement date:
TenneT TSO B.V.

[Connected Party]

Table B: The table shows the minimum period during which an AC-connected offshore power park module must be capable of operating over different voltage ranges deviating from a nominal value without disconnecting.

Synchronous area	Voltage range	Time period for operation
Continental Europe	0.85 pu – 0.90 pu	60 minutes
	0.9 pu – 1.118 pu	Unlimited
	1.118 pu – 1.15 pu	60 minutes

6) Article 25 referring to Article 20: Voltage stability – fast fault current injection

The requirements of Article 20.(2)(b) are further detailed to:

- i. Additional reactive current injection shall be activated in the event of a voltage deviation of more than 10% of the effective value at the Connection Point of the Power Park Module. This 10% voltage deviation is called the dead band. The voltage control shall ensure the supply of additional reactive current, originating from the Power Park Module, of minimum 2% and maximum 10% of the rated current per percent of the voltage deviation, see Figure a. The full required reactive current must be available after $t_p = 40$ ms after the fault inception into the Network, with a rise time (t_r) less than 30 ms, see Figure b.
- ii. Additional reactive current injection shall be supplied up to a voltage limit of minimal 120% rated Power Park Module voltage.
- iii. After fault clearance stable operation must be pursued.

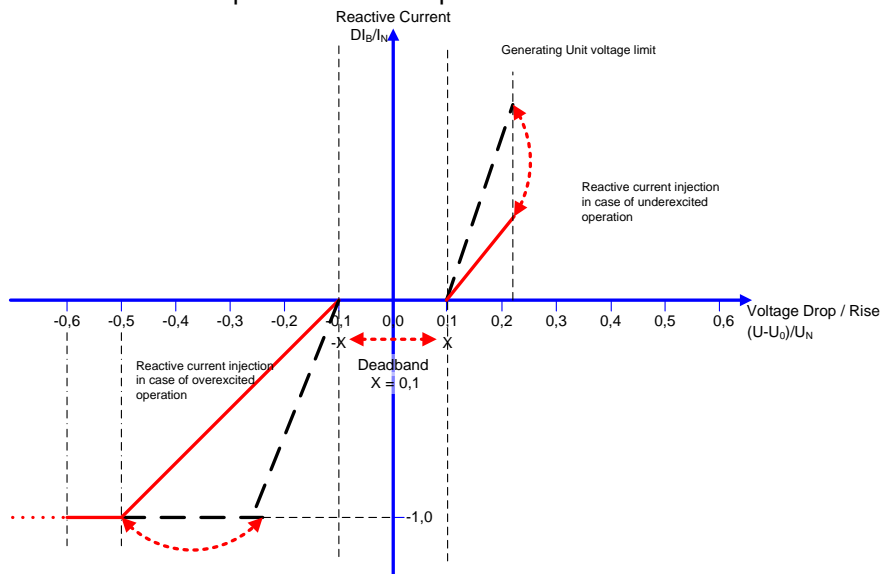


Figure a: Principle of voltage support by fast reactive current injection during faults. The redline represents the required minimum additional reactive current, expressed by the ratio of the additional

Signed for approval:
Commencement date:
TenneT TSO B.V.

[Connected Party]

reactive current and the rated current in per unit, against the voltage drop, expressed by the ratio of the actual voltage value and its pre-fault value in per unit at the Connection Point.

- U_N : rated Voltage
- I_N : rated current
- U : Voltage during fault
- DI_B : additional reactive current during fault, $DI_B = I_B - I_{B0}$
- I_B : reactive current during fault
- I_{B0} : pre-fault reactive current
- U_0 : pre-fault Voltage
- $(U-U_0)/U_N$: Voltage Drop / Rise
- k : Additional reactive current Droop, red line: $k = (DI_B/I_N) / ((U-U_0)/U_N)$,
Adjustment range $2 \leq k \leq 10$, adjustment step less or equal to 0,01 pu,

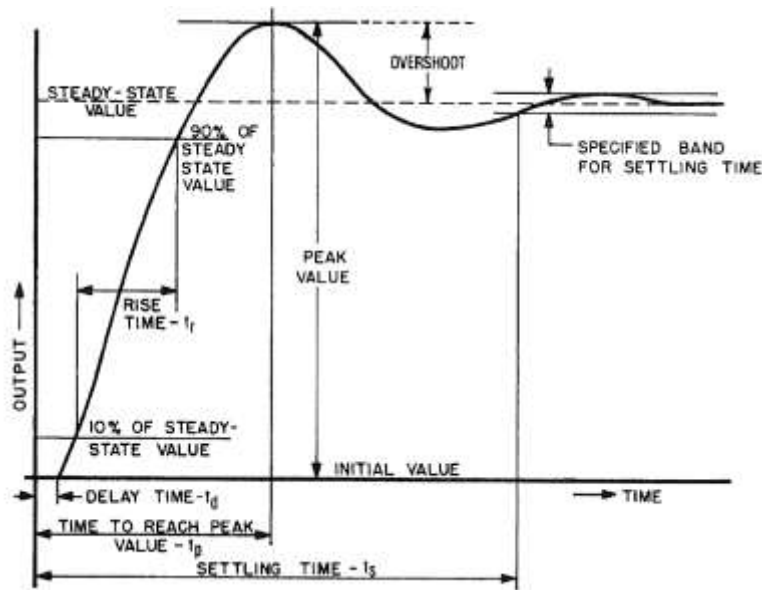


Figure b: Typical transient response of a feedback control system to a step change in input

7) Article 25 referring to Article 21: Reactive power capability and voltage stability requirements

The requirements of this Article apply to the steady state condition of the power system only, and do not apply to transient stability.

The inner profile of Figure 8 of the RfG is further specified by the red dashed line in Figure c below, while respecting the figures of Table 11.

Signed for approval:
Commencement date:
TenneT TSO B.V.

[Connected Party]

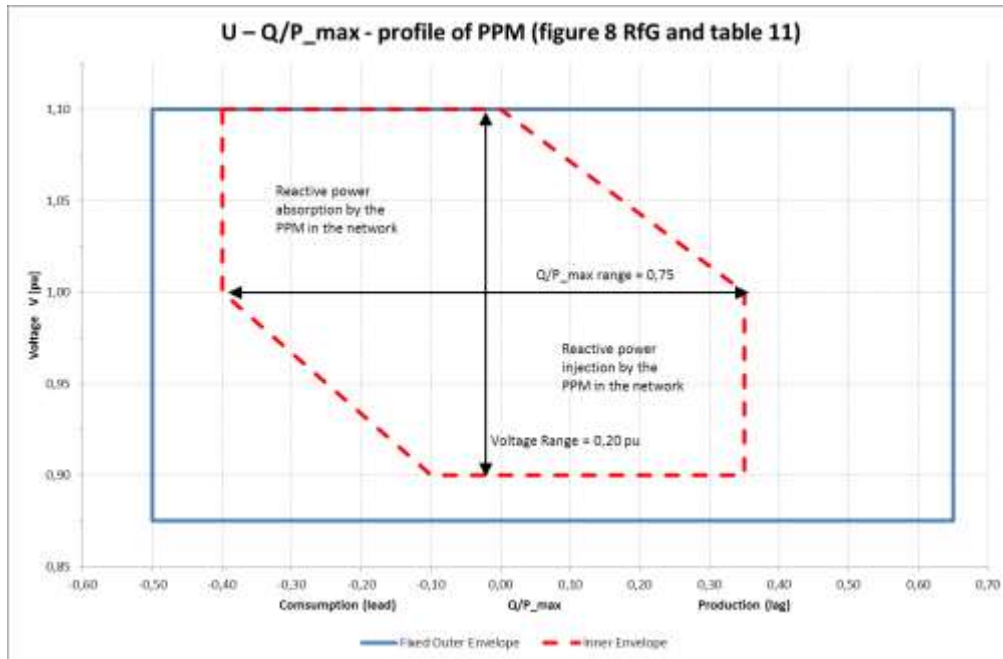


Figure c: The required U-Q/P_{max}-profile of a Power Park Module at the Connection Point by the voltage

The coordinates of the vertices of the red dashed profile of Figure c are:

Reactive power Q/P _{max} [pu]	Voltage V [pu]
-0,40	1,10
-0,40	1,00
-0,10	0,90
0,35	0,90
0,35	1,00
0,00	1,10

If a Power Park Module has a reactive power capability beyond the minimum requirements, the capability shall not be deliberately limited.

The Power Park Module shall be capable of providing reactive power automatically by either voltage control mode, reactive power control mode or power factor control mode.

The set points and slope (voltage droop) must be adjustable, during normal operation.

Set point values relate to the Connection Point of the Power Park Module to the Offshore Transmission System.

The parameters of the control speed of the reactive power controller, will be mutually agreed by TenneT and the Connected Party at least 6 months prior to energisation, taking into account the actual local Network

Signed for approval:
Commencement date:
TenneT TSO B.V.

[Connected Party]

characteristics.

The reactive power control mode Voltage must result in a stable and damped behaviour of the voltage at the Connection Point of the Power Park Module. If the reactive power control mode is Voltage, adjustment of the operating point of the slope must be possible within 15 minutes, to adjust the reactive power exchange at the Point of Common Coupling.

In case the reactive power control mode is Reactive Power, adjustment of the set point must be within the frequency and accuracy definition of the Onshore Voltage Controller (which determines the Reactive Power Set point for the offshore Power Park Module at its Point of Common Coupling).

8) Article 25 referring to Article 21: Reactive Power Capability

The requirements of this Article apply to the steady state condition of the power system only, and do not apply to transient stability.

The inner profile of Figure 9 of the RfG is further specified by the red dashed line in Figure d below, while respecting the figures of Table 11

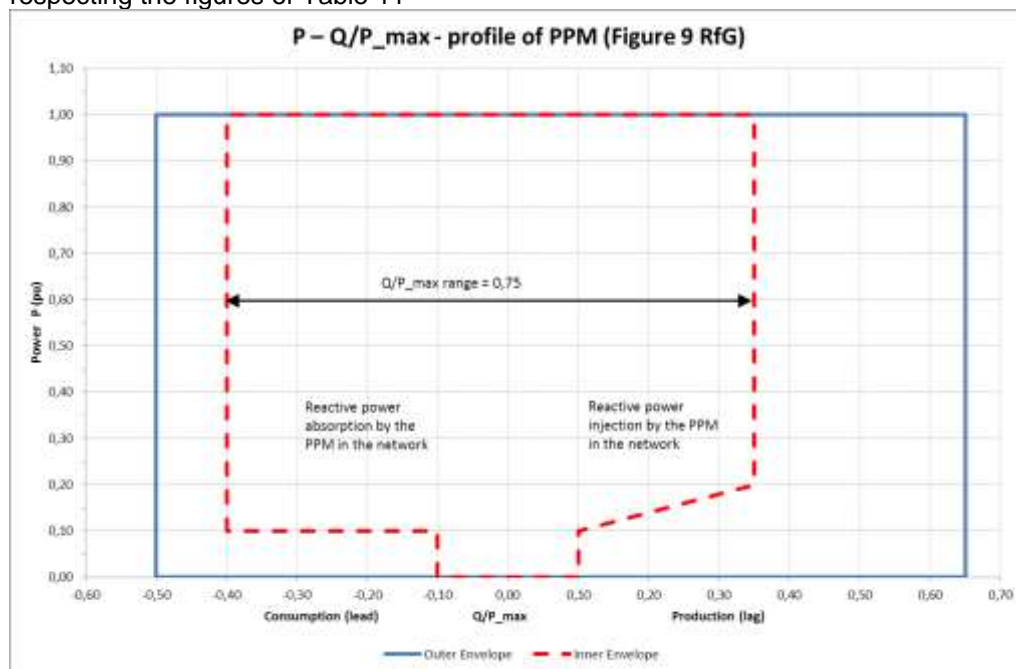


Figure d: The required P-Q/P_{max}-profile of a power park module at the connection point by the active power

The coordinates of the vertices of the red dashed profile of Figure d are:

Reactive power Q/P _{max} [pu]	Power P [pu]
-0,40	1,00
-0,40	0,10
-0,10	0,10

Signed for approval:
Commencement date:
TenneT TSO B.V.

[Connected Party]

-0,10	0,00
0,10	0,00
0,10	0,10
0,35	0,20
0,35	1,00

In case a Power Park Module has a reactive power capability beyond the voltage range specified the capability shall not be deliberately limited.

Limitation of reactive power capability based on the number of generating units in service may not influence the behaviour of the reactive power controller within these limited capabilities.

During operation the PPM shall absorb or inject reactive power on demand of TenneT between -0,1 pu and +0,1 pu (1 pu is full active power in MW independent of the numbers of WTGs in operation) at PCC, as agreed in the CTA. If the reactive power capabilities of a specific WTG cannot comply at very low active power (below 0.1 pu), then TenneT will adjust their component set-up (reactors, capacitors) accordingly.

The full reactive power capabilities of the PPM to absorb or inject reactive power on demand of TenneT are between -0,4 pu (absorption) and +0,35 pu (injection) at PCC (1 pu is full active power in MW dependent of the numbers of WTGs in operation).

In addition to Article 25 and 21 of the RfG, Article 5.2.2.1 of the Dutch grid code (*Netcode Elektriciteit*) is also applicable:

5.2.2 Spannings- en blindvermogensregeling

5.2.2.1 De netbeheerder bepaalt de instelling van de statiek en de referentiewaarde van de primaire spanningsregeling. Indien een productie-eenheid niet bijdraagt aan de blindvermogenshuishouding in de normale bedrijfstoestand moet de referentiewaarde 15 minuten na constatering van een afwijking naar een uitwisseling van 0 Mvar worden teruggebracht, tenzij anders is overeengekomen.

9) Article 26 referring to Article 16: Fault ride through capability

The fault ride through capability as laid down in Figure 3 and Table 3.2 of the RfG is further detailed in Figure e below.

Signed for approval:
Commencement date:
TenneT TSO B.V.

[Connected Party]

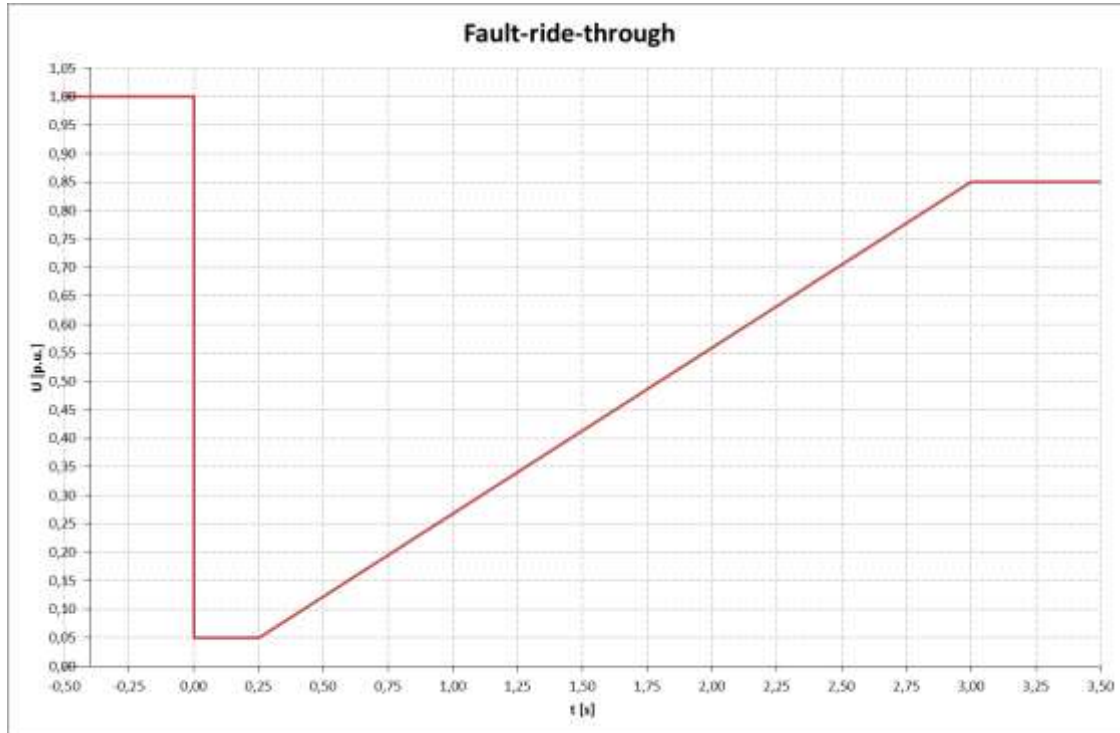


Figure e: The fault-ride through capability of Power Park Module

The coordinates of the vertices of the curve of Figure e are:

Time t [s]	Voltage V [pu]
0,00	1,00
0,00	0,05
0,25	0,05
3,00	0,85

10) Article 27 referring to Article 15: System restoration

Black start capability is not required.

Signed for approval:
Commencement date:
TenneT TSO B.V.

[Connected Party]

Annex 6 Compliance Testing Requirements

General note

This Annex will be drafted once the outcome of the technical consultation of topic T.17 Compliance Testing has been finalised. A position paper on this topic will be published on TenneT's consultation website prior to the technical consultation on 21 October 2015.

Signed for approval:
Commencement date:
TenneT TSO B.V.

[Connected Party]

Annex 7 Operational arrangements and exchange of information

General note

In this Annex the Parties capture data in good cooperation. This will take place in the bilateral consultations after the tender and prior to concluding the Realisation Agreement.

This Annex will be completed with the outcome of the technical consultation on Access to platform, Installation interface management and O&M interface management.

1. Scope

This Annex 7 describes the operational arrangements agreed between Connected Party and TenneT. The following details are specified:

- a. The contact persons of the two Parties
- b. The content of the operational arrangements
- c. The procedure for resolving failures, and
- d. The exchange of information

2. Contact details

2.1 Contact details for operational matters

Operations

Operations at Connected Party will be performed by*:

Organisation: _____
Location: _____
Person responsible: _____
Telephone: _____
Fax: _____
E-mail: _____

Operations at TenneT will be performed by the following National Control Centre (NCC):

Arnhem for voltages of 380/220 kV

Telephone: +31 26 373 12 41; fax: +31 26 445 26 97; e-mail:@tennet.eu

* If the Connected Party outsources operational management to a third party, this third party will act as the contact person on behalf of the Connected Party.

Signed for approval: Commencement date: TenneT TSO B.V.	[Connected Party]
---	-------------------

2.2 Contact details for planning the availability of the TenneT transmission grid

Planned Unavailability

On working days, [Name of Connected Party]'s contact person for matters concerning Planned Unavailability within the meaning of Article 6 of the General Terms and Conditions will be:

Organisation: _____
Location: _____
Person responsible: _____
Telephone: _____
Fax: _____
E-mail: _____

On working days, TenneT's Operational Support department (Planned Unavailability group) can be reached in the following ways:

Telephone: +31 26 373 17 61
Fax: +31 26 373 24 53
E-mail: groepvnb@tennet.eu

2.3 Changes to contact details

[Name of Connected Party] shall ensure that changes to contact details are notified to TenneT by:

Organisation: _____
Location: _____
Person responsible: _____
Telephone: _____
Fax: _____
E-mail: _____
Correspondence address: _____

The TenneT Customer Relationship Manager will be responsible for changing the contact details:

Name: _____
Telephone: +31 26 373
E-mail: ...@tennet.eu

Correspondence address:
TenneT TSO B.V.
Customers & Markets department
Postbus 718
NL-6800 AS Arnhem

Signed for approval: Commencement date: TenneT TSO B.V.	[Connected Party]
---	-------------------

3. Content of arrangements

3.1 Access to offshore substation

TenneT will allow access for [Name of Connected Party] representative(s) to the offshore substation without accompaniment. Only specific rooms (general room and the equipment room of [Name of Connected Party]) will be accessible. This will be done under safety and operational regulations and requirements, as determined by TenneT. All persons requesting access to the Platform minimally need to be qualified for accessing high voltage premises.

In case [Name of Connected Party] requires access to other areas (e.g. switchgear rooms where inter-array cables are connected), accompaniment by (a) TenneT representative(s) is required. TenneT and [Name of Connected Party] will make operational agreements regarding response time of accompanying staff.

Boat landing and Walk to Work (W2W) solutions are the standard access method.

In case of emergency response and if allowed by authorities, helicopter hoisting will be used.

3.2 Control work

Control work must be performed in conformity with relevant (international) standards and guidelines and falls under the operational decision-making authority of the operational managers of each Party. As a basic principle, each Party shall control the components that fall under its responsibility in accordance with the arrangements agreed for the Connection Point (see 0). Any exceptions to these arrangements are stated in the table below.

Component	Control	Responsibility
XXXXXXXXXXXXXXXXXXXX	XXXXXXXXXXXXXXXXXXXX	XXXXXXXXXXXXXXXXXXXX
XXXXXXXXXXXXXXXXXXXX	XXXXXXXXXXXXXXXXXXXX	XXXXXXXXXXXXXXXXXXXX
XXXXXXXXXXXXXXXXXXXX	XXXXXXXXXXXXXXXXXXXX	XXXXXXXXXXXXXXXXXXXX

3.3 Switching procedures

Supplemental to relevant (international) standards and guidelines, a specific switching procedure may be in place that the Parties must follow to assure safety, continuity, etc. If this situation occurs, it is detailed in the table below.

Switching procedure (brief description)	Annex
XX	4.1
XX	4.2
XX	4.3

Signed for approval:	
Commencement date:	
TenneT TSO B.V.	[Connected Party]

XX	4.4
--	-----

Part of the procedures will be the fault location for isolating the Connected Party strings is Connected Party's responsibility. TenneT will execute the incorporated switching activity upon notification by Connected Party.

Arrangements for tag out and lock out will be made in mutual agreement to place locks at the bays in relation to isolation and earthing of the string in order to assure that safe working can be executed in accordance with the relevant (international) standards and guidelines.

4. Resolution of failures

For the purposes of this Annex 7, a failure is defined as an unscheduled interruption or restriction of electricity transmission, including but not confined to a voltage management disruption (such as voltage dips and transients).

4.1 Duty to provide information on failures

As soon as a failure occurs, the Parties shall inform each other as comprehensively and as quickly as possible to allow them to act effectively. The information provided must in any event include the volume of switched-off capacity and the estimated resolution time of the failure.

Subsequently, the Parties shall on request provide each other with information from which the (probable) cause of the problem can be determined, and shall state the actions taken to resolve the failure as well as the measures that will be taken to prevent a recurrence.

4.2 Major incidents and protection and restoration plan

TenneT shall coordinate the response to a major incident affecting the security of supply. For this purpose, TenneT may execute a switch-off. [Name of Connected Party] must then take care that the requested amount of power is shut down in accordance with instruction of TenneT. This instruction will be provided from TenneT's National Control Centre by telephone to the contact listed in 2.1. At its request, TenneT will confirm the instruction in writing provided by telephone to [name of Connected Party].

[Name of Connected Party] may request TenneT to switch off all or part of the Connection if it is affected by a major incident. This must be done to control the incident or to prevent damage to the managed Installation, the Connection, or the Transmission System. TenneT shall respond to such request unless it cannot reasonably be expected to do so.

4.3 Crisis centre

Signed for approval:	
Commencement date:	
TenneT TSO B.V.	[Connected Party]

In the event of a major incident, [Name of Connected Party] may opt to have a crisis centre handle communications. [Name of Connected Party] shall indicate when the crisis centre is to take over handling communications. The details of [Name of Connected Party]'s crisis centre are stated below.

[Name of Connected Party]'s crisis team

[Name of Connected Party] has designated a crisis team to handle major incidents. The contact details of this team are as follows.

Organisation: _____
Location: _____
Person responsible: _____
Telephone: _____
Fax: _____
E-mail: _____

5. Exchange of information

The Parties shall provide each other with the information that by reasonable standards may be relevant to the operation of TenneT's Transmission System and the operation of the Installation of [Name of Connected Party].

Signed for approval: Commencement date: TenneT TSO B.V.	[Connected Party]
---	-------------------

Annex 7 Insurance

General note

The topic of Insurance will be discussed during the legal consultation on 16 October 2015.

Signed for approval:

Commencement date:

TenneT TSO B.V.

[Connected Party]